

●	PCB or heatsink level.
●	LED location.
	Ensure LED fitting from a product specific 3D model available from www.ledil.com .
	See installation details in page 2.

MECHANICAL DRAWING		LEDiL [®]
PRODUCT	C16378_STRADA-2X2-FR	
Plastic moulding general tolerances according to DIN 16901-130 and applies if not otherwise shown in the drawing. Silicone moulding general tolerances according to ISO 3302-1 Class M3 and applies if not otherwise shown in the drawing.	FIRST ANGLE PROJECTION: 	This drawing is the property of LEDiL Oy. It may not be reproduced, copied or communicated without a written agreement with LEDiL Oy.
SCALE	1:1	WEIGHT 13,65 g
		A3 SHEET 1/2

H G F E D C B A

4

4

3

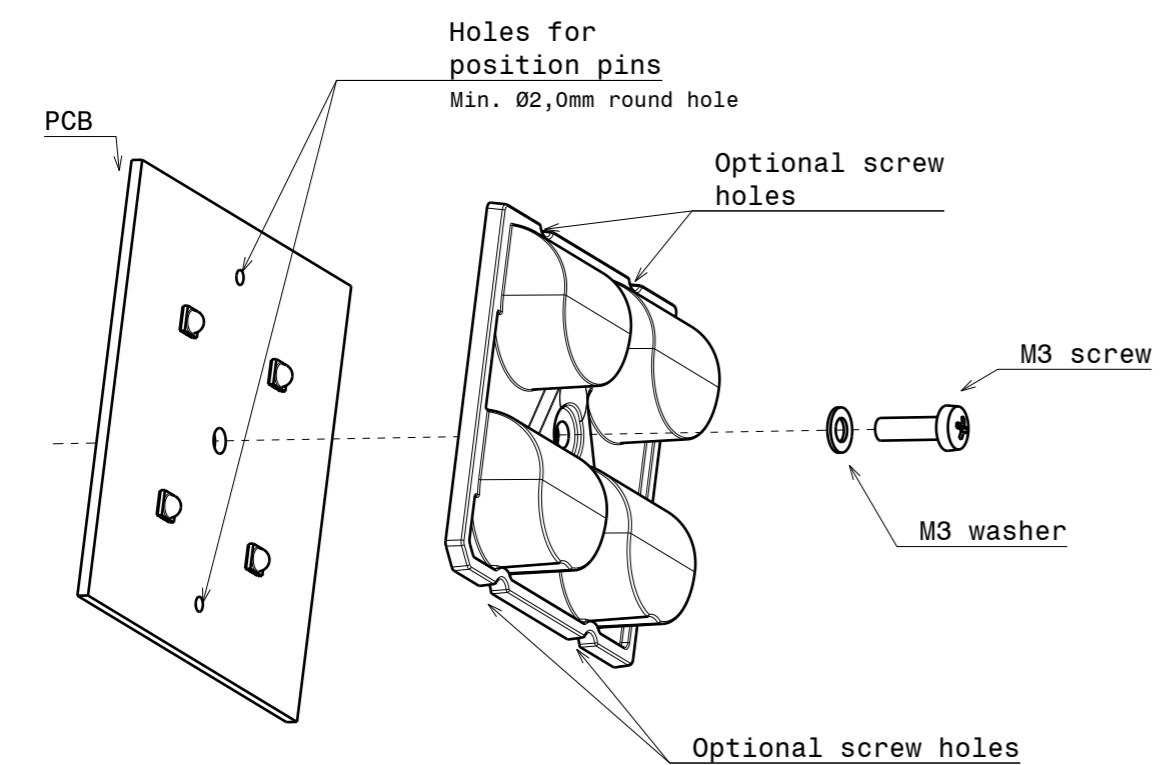
3

2

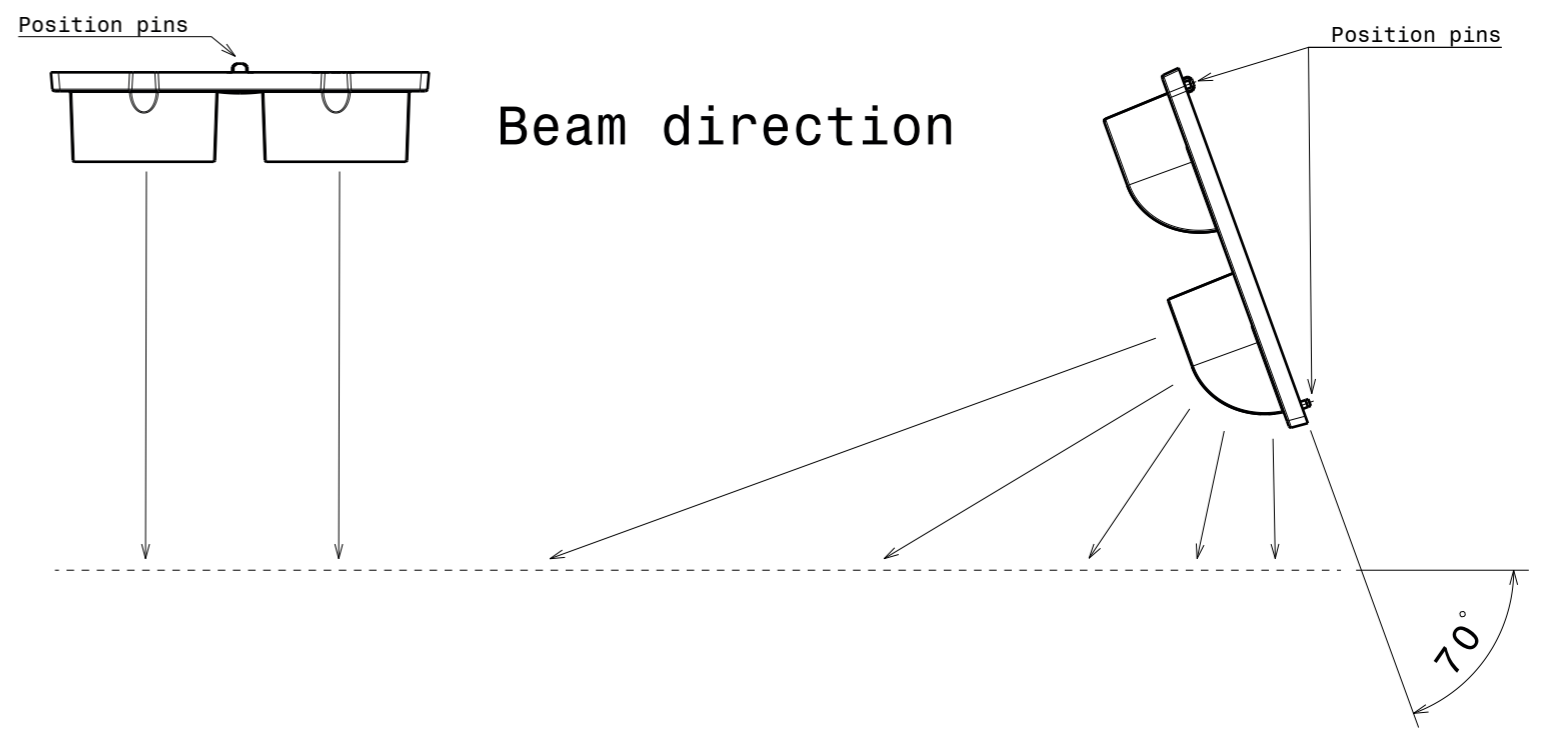
2

1

1



Installation



MECHANICAL DRAWING		LEDiL [®]
PRODUCT	C16378_STRADA-2X2-FR	
Plastic moulding general tolerances according to DIN 16901-130 and applies if not otherwise shown in the drawing. Silicone moulding general tolerances according to ISO 3302-1 Class M3 and applies if not otherwise shown in the drawing.	FIRST ANGLE PROJECTION: 	This drawing is the property of LEDiL Oy. It may not be reproduced, copied or communicated without a written agreement with LEDiL Oy.
SCALE	1:1	WEIGHT -
		A3 SHEET 2/2

H G B A